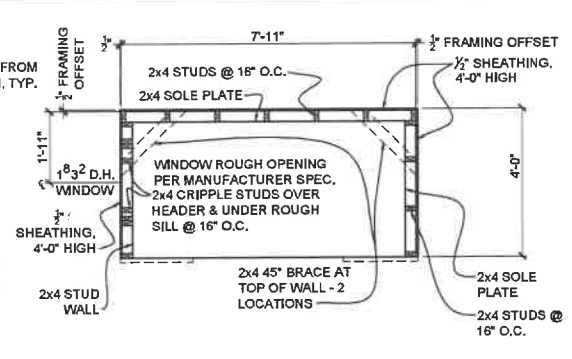
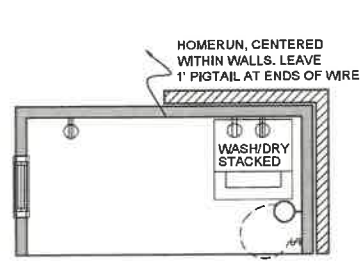


**FLOOR PLAN**  
1/2"=1'-0"

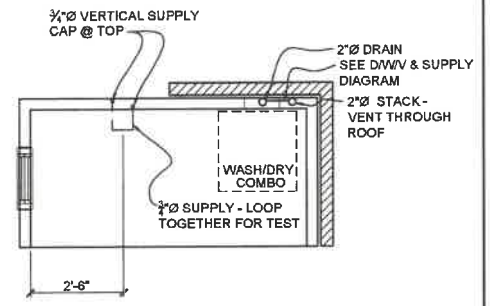


**FRAMING PLAN**  
1/2"=1'-0"



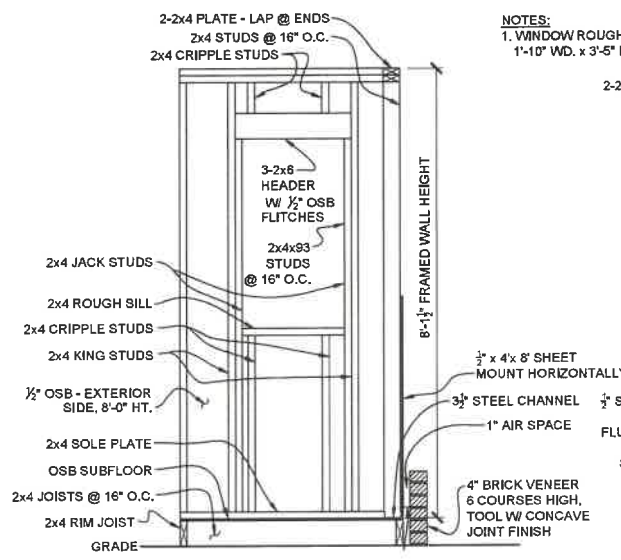
**ELECTRICAL PLAN**  
1/2"=1'-0"

- NOTES:
1. LIGHT SWITCH HEIGHT: 48" TO CENTER
  2. LIGHT: 72" FLOOR TO CENTER HT.
  3. 120V WASHER RECEPTACLE HEIGHT: 32" FLOOR TO CENTER LINE
  4. 240V DRYER RECEPTACLE HEIGHT: 44" FLOOR TO CENTER LINE

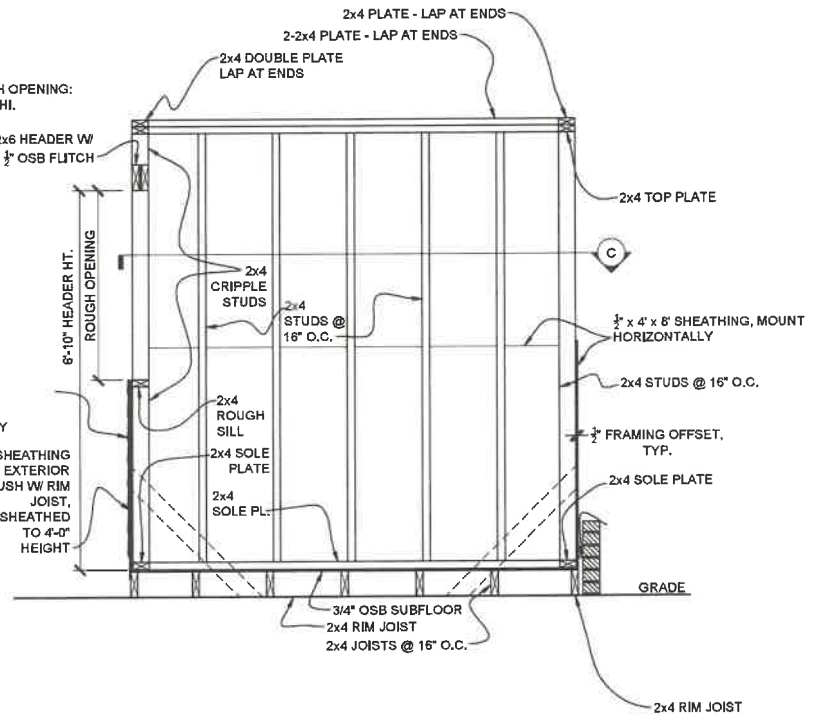


**PLUMBING PLAN**  
1/2"=1'-0"

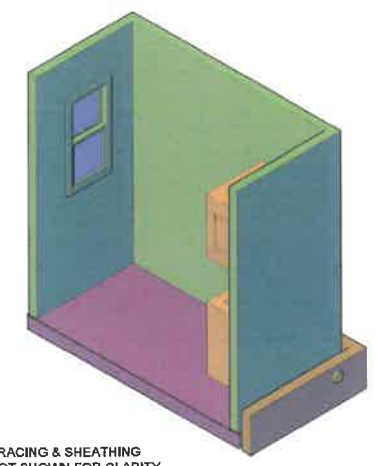
NOTE TO PLUMBER:  
- INSTALL ONLY DRAIN-WASTE-VENT LINES.  
- DO NOT INSTALL SUPPLY LINES



**A TRANSVERSE SECTION**  
3/4"=1'-0"

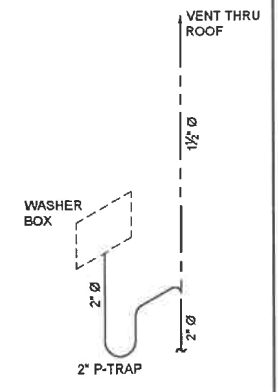
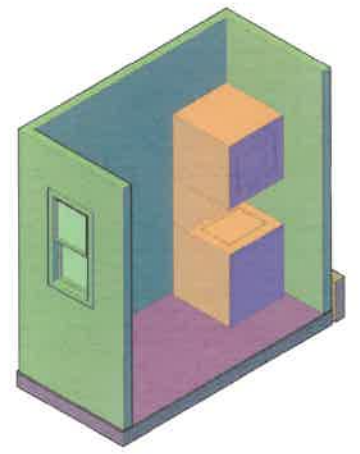


**B LONGITUDINAL SECTION**  
3/4"=1'-0"



BRACING & SHEATHING NOT SHOWN FOR CLARITY

**ISOMETRIC VIEWS**  
N.T.S.



**D-W-V & SUPPLY DIAGRAM**  
N.T.S.

GENERAL NOTES:  
1. CLEAN-UP TO BE EVALUATED AS PART OF OVERALL SCORE.